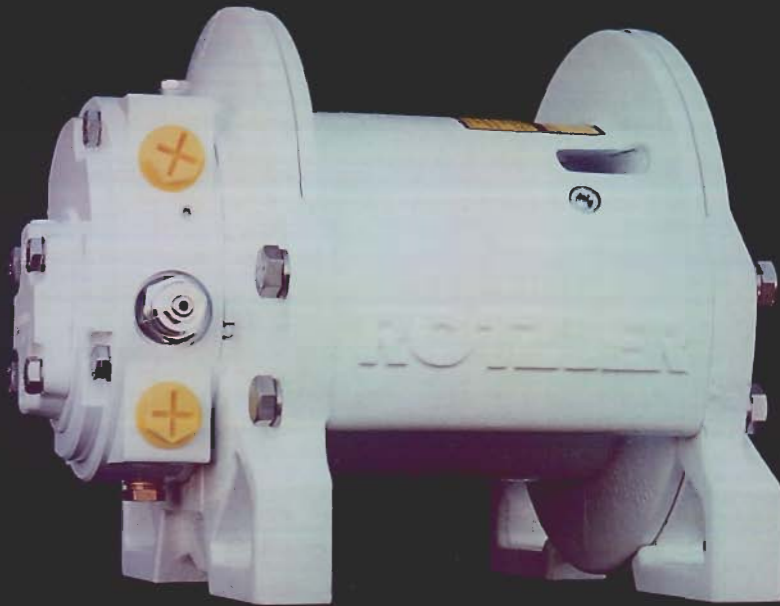


TITAN MODEL TC 2 PLANETARY WINCH



2.7 METRIC TON HOIST CAPACITY

The TITAN TC 2 Planetary Hydraulic Winch features a 2 stage planetary reduction, combined with an automatic disc brake. A counterbalance valve (as shown) is available as an option.

variable motor port position - optional high pressure hydraulic motors
stainless steel drum seal surfaces - polyester powder coating
rubber coated seals - graphite resin brake plates - integral external brake release
case drain not usually required - stainless steel fasteners available - 2 year warranty

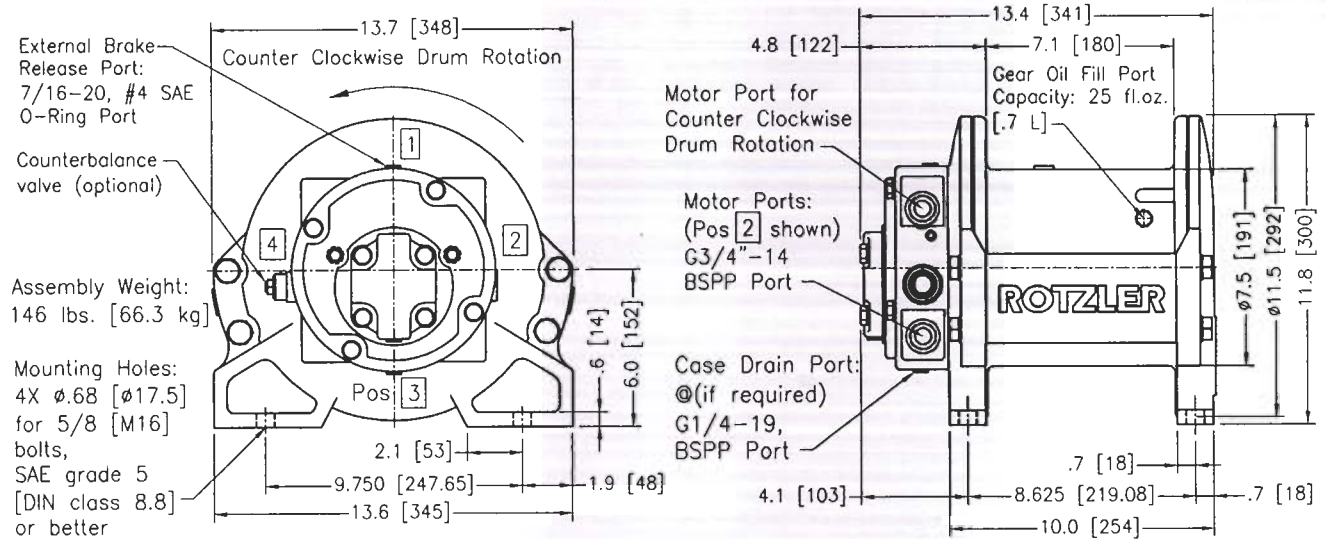


TOMORROW'S TECHNOLOGY FOR THE WORLD TODAY

TITAN MODEL TC 2

GENERAL DIMENSIONS

To safely support the load, maintain at least three wraps of rope on the Cable Drum at all times.



Dimensions are in inches [millimeters]. Cable Wedge accommodates 1/4" to 7/16" [6mm to 11mm] diameter wire rope.
 ⓐ A Case Drain line is recommended when Return Line back pressure exceeds 200 psi [14 bar].

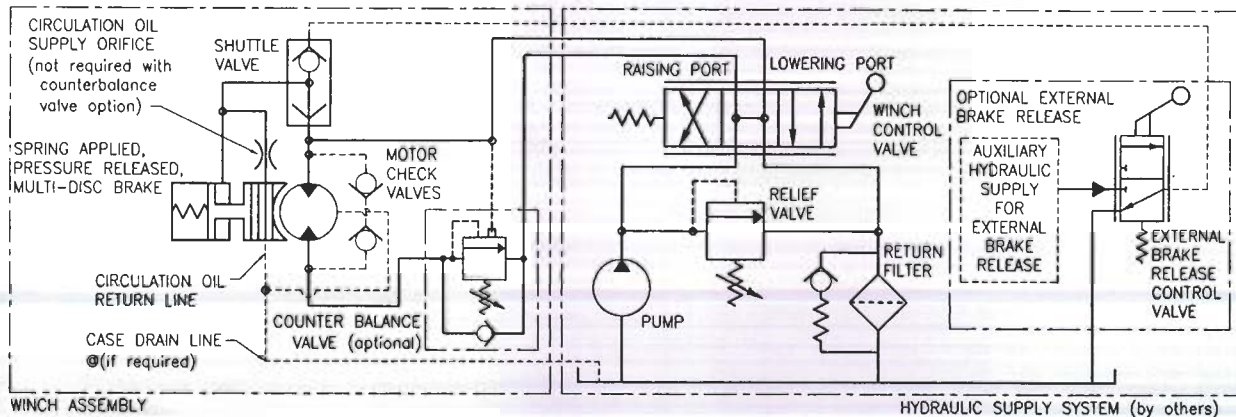
PERFORMANCE DATA

CABLE STORAGE*		SYSTEM PRESSURE [ⓐ]	SYSTEM VOLUME [ⓐ]
3/8 inch	212 feet	Maximum 3000 psi [207 bar]	Maximum 22 USGPM [83 l/min]
7/16 inch	142 feet	MAXIMUM LINE PULL[ⓐ]	MAXIMUM LINE SPEED[ⓐ]
10 mm	62 m	Bare Drum: 6000 lb [26.7 kN]	Bare Drum: 132 ft/min [40 m/min]
11 mm	44 m	Full Drum: 4500 lb [20.0 kN]	Full Drum: 177 ft/min [54 m/min]

* Cable storage with no free flange allowed

ⓐ Above specifications are based on 3/8" diameter wire rope and standard (-31) motor. Optional motors are available. Refer to factory for specifications.

TYPICAL HYDRAULIC CIRCUIT



OPTIONS: For other optional configurations or operational features, contact the factory.

Rotzler planetary hydraulic winches are not designed, nor intended to move personnel. Rotzler Inc. cannot be held responsible for accidents occurring from such use.

Rotzler Inc. reserves the right to change performance and/or dimensions without prior notice and without obligations.

Distributor:

NAV

ROTZLER INC.

Unit 122, 7350 - 72 Street
 Delta, BC, Canada V4G 1H9
 Tel: 604-940-7134 • Fax: 604-940-7135
 Website: www.rotzler.com
 Email: rotzlercanada@rotzler.de