

TITAN

MODEL TC 3 PLANETARY WINCH



4.2 METRIC TON HOIST CAPACITY

The TITAN TC 3 Planetary Hydraulic Winch features a 2 stage planetary reduction, combined with an automatic disc brake. A counterbalance valve (as shown) is available as an option.

variable motor port position - optional high pressure hydraulic motors
stainless steel drum seal surfaces - rugged polyurethane coating
rubber coated seals - integral external brake release
stainless steel fasteners available - 2 year warranty



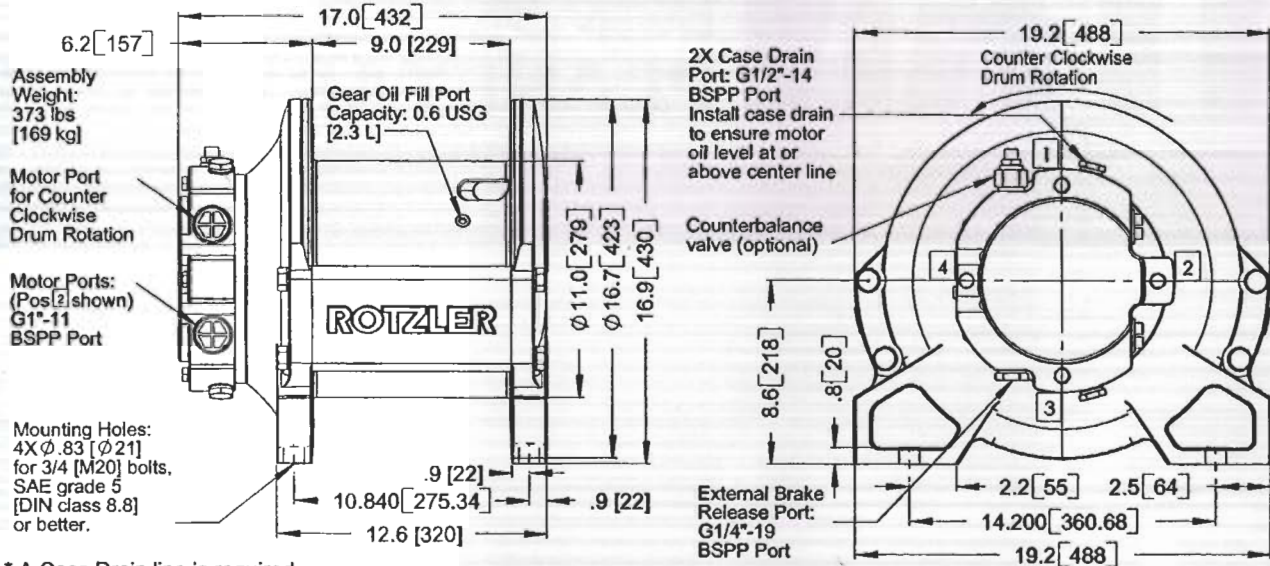
ROTZLER®

TOMORROW'S TECHNOLOGY FOR THE WORLD TODAY

TITAN MODEL TC 3

GENERAL DIMENSIONS

To safely support the load, maintain at least three wraps of rope on the Cable Drum at all times.



* A Case Drain line is required.

Dimensions are in inches [millimeters]. Cable Wedge accommodates 3/8" to 5/8" [10mm to 16mm] diameter wire rope.

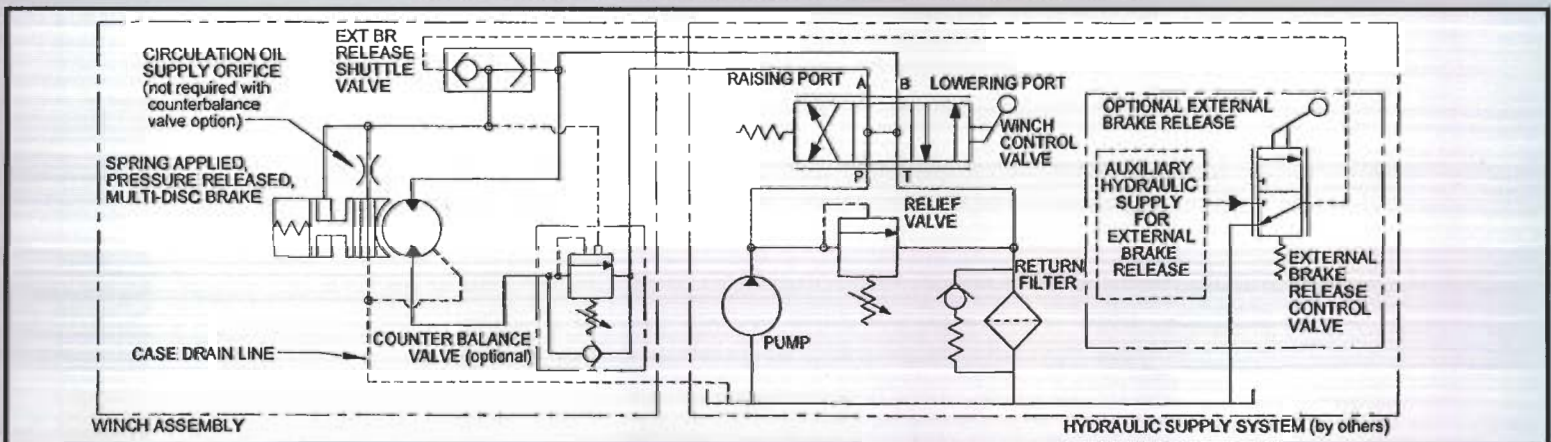
PERFORMANCE DATA

| CABLE STORAGE* | | SYSTEM PRESSURE ^o | SYSTEM VOLUME ^o |
|----------------|----------|--------------------------------|----------------------------------|
| 9/16 inch | 206 feet | Maximum 4200 psi [290 bar] | Maximum 27 USGPM [99 l/min] |
| 5/8 inch | 187 feet | MAXIMUM LINE PULL ^o | MAXIMUM LINE SPEED ^o |
| 14 mm | 82 m | Bare Drum: 9200 lb [41 kN] | Bare Drum: 144 ft/min [44 m/min] |
| 16 mm | 56 m | Full Drum: 7100 lb [31 kN] | Full Drum: 186 ft/min [56 m/min] |

* Cable storage with no free flange allowed

^o Above specifications are based on 9/16" [14.3mm] diameter wire rope and standard (-40) motor. Optional motors are available. Refer to factory for specifications.

TYPICAL HYDRAULIC CIRCUIT



OPTIONS: For other optional configurations or operational features, contact the factory.

Rotzler planetary hydraulic winches are not designed, nor intended to move personnel. Rotzler Inc. cannot be held responsible for accidents occurring from such use.

Rotzler Inc. reserves the right to change performance and/or dimensions without prior notice and without obligations.

Distributor:

NAV

ROTZLER INC.

Unit 122, 7350 - 72 Street
Delta, BC, Canada V4G 1H9

Tel: 604-940-7134 • Fax: 604-940-7135

Website: www.rotzler.com

Email: rotzlercanada@rotzler.de