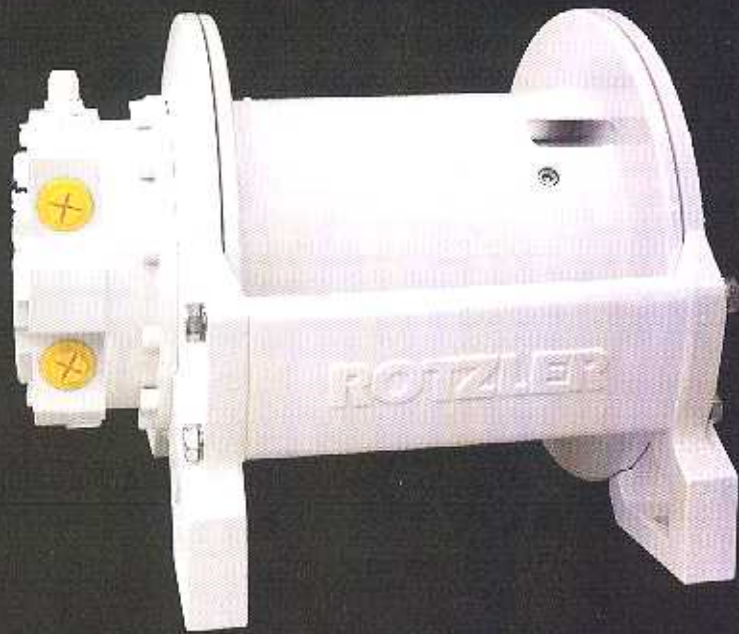


TITAN

MODEL TC 5

PLANETARY WINCH



5.9 METRIC TON HOIST CAPACITY

The TITAN TC 5 Planetary Hydraulic Winch features a 2 stage planetary reduction, combined with an automatic disc brake. A counterbalance valve (as shown) is available as an option.

variable motor port position - optional high pressure hydraulic motors
stainless steel drum seal surfaces - rugged polyurethane coating
rubber coated seals - integral external brake release
stainless steel fasteners available - 2 year warranty



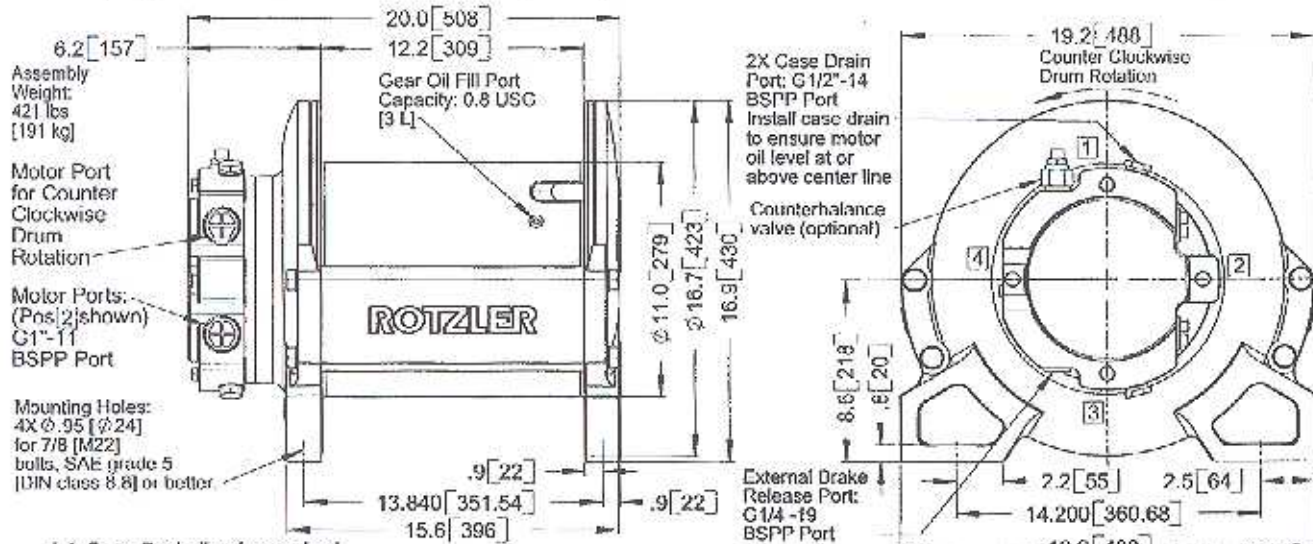
ROTZLER®

TOMORROW'S TECHNOLOGY FOR THE WORLD TODAY

TITAN MODEL TC 5

GENERAL DIMENSIONS

To safely support the load, maintain at least three wraps of rope on the Cable Drum at all times.



* A Case Drain line is required.

Dimensions are in inches [millimeters]. Cable Wedge accommodates 3/8" to 5/8" [10mm to 16mm] diameter wire rope.

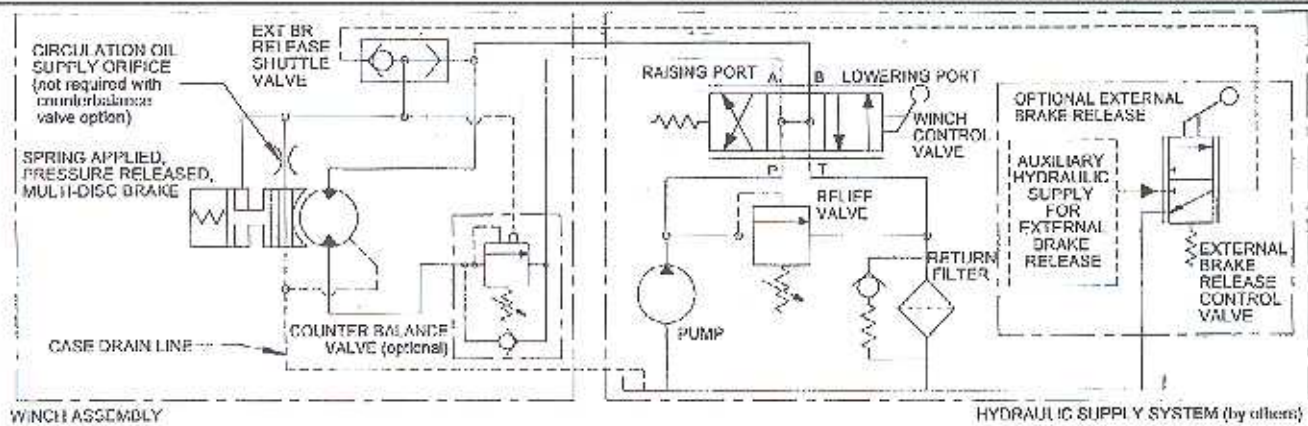
PERFORMANCE DATA

CABLE STORAGE*		SYSTEM PRESSURE ^o	SYSTEM VOLUME ^o
9/16 inch	281 feet	Maximum 4900 psi [335 bar]	Maximum 32 USGPM [120 l/min]
5/8 inch	256 feet	MAXIMUM LINE PULL ^o	MAXIMUM LINE SPEED ^o
14 mm	113 m	Bare Drum: 13000 lb [57 kN]	Bare Drum: 144 ft/min [44 m/min]
16 mm	77 m	Full Drum: 9800 lb [43 kN]	Full Drum: 190 ft/min [58 m/min]

* Cable storage with no free flange allowed

^o Above specifications are based on 5/8" [15.9mm] diameter wire rope and standard (-19) motor. Optional motors are available. Refer to factory for specifications.

TYPICAL HYDRAULIC CIRCUIT



OPTIONS: For other optional configurations or operational features, contact the factory.

Rotzler planetary hydraulic winches are not designed, nor intended to move personnel. Rotzler Inc. cannot be held responsible for accidents occurring from such use.

Rotzler Inc. reserves the right to change performance and/or dimensions without prior notice and without obligations.

Distributor:

ROTZLER INC.

Unit 122, 7350 - 72 Street
Delta, BC, Canada V4G 1H9
Tel: 604-940-7134 • Fax: 604-940-7135
Website: www.rotzler.com
Email: rotzlercanada@rotzler.de