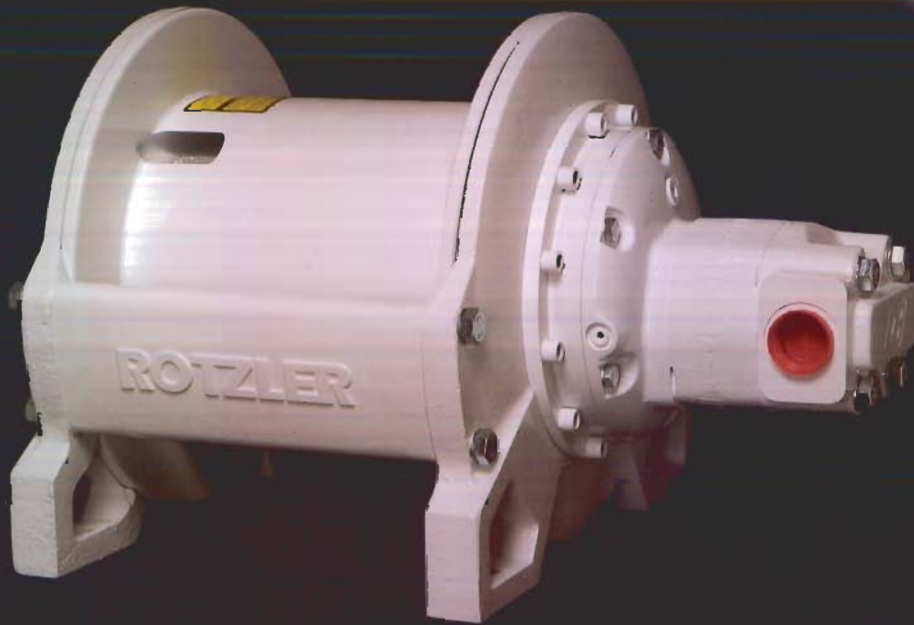


TITAN

MODEL TH 5

PLANETARY WINCH



5.9 METRIC TON HOIST CAPACITY

The TITAN TH 5 Planetary Hydraulic Winch features a 2 stage planetary reduction, combined with an automatic static and dynamic disc brake. A hydraulic brake or counterbalance valve is not required for safe and smooth control of a lowering load.

optional high pressure hydraulic motors - integral external brake release
stainless steel drum seal surfaces - rugged polyurethane coating
rubber coated seals - graphite resin brake plates - case drain not usually required
stainless steel fasteners available - 2 year warranty

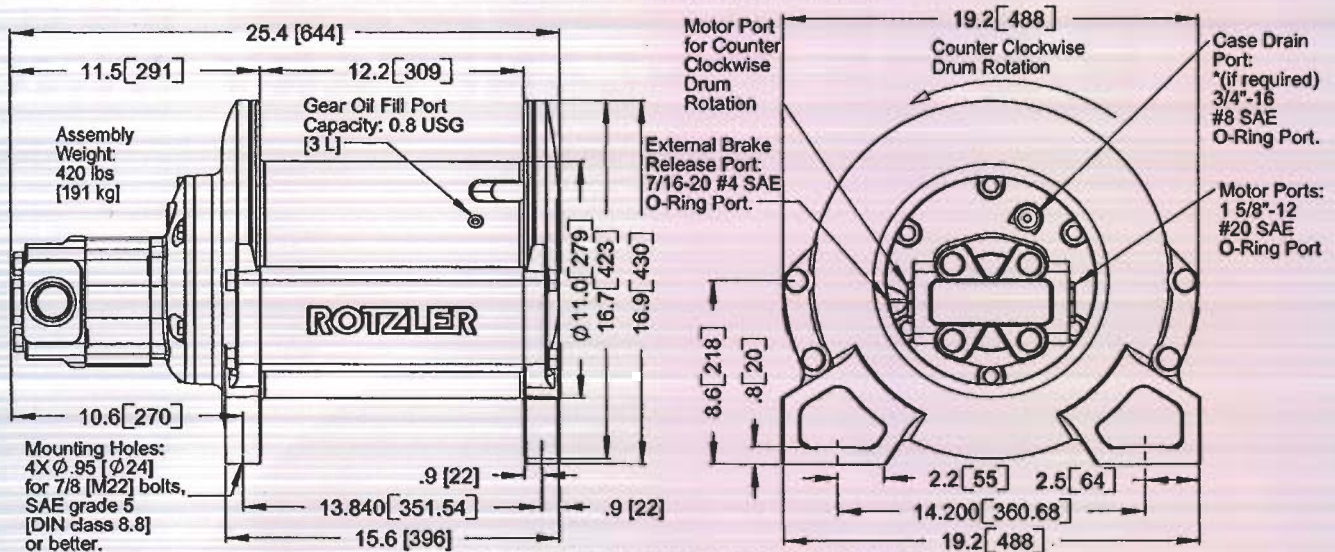


TOMORROW'S TECHNOLOGY FOR THE WORLD TODAY

TITAN MODEL TH 5

GENERAL DIMENSIONS

To safely support the load, maintain at least three wraps of rope on the Cable Drum at all times.



* A Case Drain line is recommended when Return Line back pressure exceeds 200 psi [14bar]
 Dimensions are in inches [millimeters]. Cable Wedge accommodates 3/8" to 5/8" [10mm to 16mm] diameter wire rope.

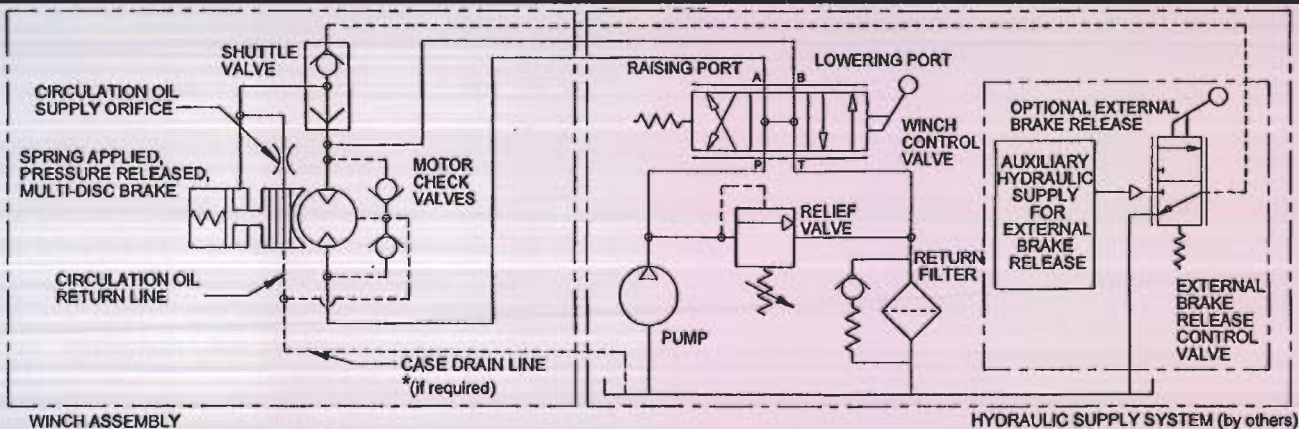
PERFORMANCE DATA

CABLE STORAGE*		SYSTEM PRESSURE ^o	SYSTEM VOLUME ^o
9/16 inch	281 feet	Maximum 2400 psi [165 bar]	Maximum 77 USGPM [289 l/min]
5/8 inch	256 feet	MAXIMUM LINE PULL ^o	MAXIMUM LINE SPEED ^o
14 mm	113 m	Bare Drum: 13000 lb [57 kN]	Bare Drum: 144 ft/min [44 m/min]
16 mm	77 m	Full Drum: 9800 lb [43 kN]	Full Drum: 190 ft/min [58 m/min]

* Cable storage with zero free flange

^o Above specifications are based on 5/8" [15.9mm] diameter wire rope and standard (-107) motor. Optional motors are available. Refer to factory for specifications.

TYPICAL HYDRAULIC CIRCUIT



OPTIONS: For other optional configurations or operational features, contact the factory.

Rotzler planetary hydraulic winches are not designed, nor intended to move personnel. Rotzler Inc. cannot be held responsible for accidents occurring from such use.

Rotzler Inc. reserves the right to change performance and/or dimensions without prior notice and without obligations.

Distributor:

NAV

ROTZLER INC.

Unit 122, 7350 - 72 Street
 Delta, BC, Canada V4G 1H9
 Tel: 604-940-7134 • Fax: 604-940-7135
 Website: www.rotzler.com
 Email: rotzlercanada@rotzler.de